

A Machine-Independent Debugger

DAVID R. HANSON AND MUKUND RAGHAVACHARI

*Department of Computer Science, Princeton University, 35 Olden Street,
Princeton, NJ 08544 U.S.A.
(email: {drh,mrm}@cs.princeton.edu)*

SUMMARY

cdb is a simple, source-level debugger for ANSI/ISO C programs compiled by `lcc`, a retargetable C compiler. `cdb` is completely independent of its target architecture. This independence is achieved by embedding a small amount of itself — a ‘nub’ — in the program to be debugged and by having the compiler emit machine-independent symbol-table data and related code. This paper describes the design of a nub interface for debugging, a target-independent implementation of this interface for `cdb`, and the implementation of `cdb` itself. When compared to platform-specific debuggers, `cdb`’s implementation is minuscule: the nub, debugger, and associated communications routines take about 1500 lines of C, and fewer than 600 lines were added to `lcc`’s front end to emit symbol tables and breakpoint hooks. All this code is machine independent.

KEY WORDS debuggers; retargetable compilers; programming environments; `lcc`

INTRODUCTION

Source-level debuggers are notoriously machine-dependent programs. Most debuggers depend not only on the machine on which they run, but also depend on the compilers, linkers, and operating systems with which they collaborate. These dependencies usually involve arcane data formats, complicated protocols, or obscure and even undocumented system calls.

Debuggers depend on compilers because compilers and linkers generate the symbol tables and object code that debuggers must read to interpret user input, display source-level values, and to find source-code locations. Debuggers depend on machine architectures because most debuggers use hardware-specific facilities for implementing breakpoints and single stepping. Debuggers depend on operating systems because debuggers must arrange to access the address space of the program being debugged — the *target* — and they must control the target’s execution. The situation is even more complicated in debuggers for concurrent languages.

Building a source-level debugger for a new machine, even for an existing language, is a complex and time-consuming process that can easily dwarf the effort needed to build the compiler. It usually involves rewriting most of the code that deals with symbol tables and with object-code formats, because these vary widely with architectures and operating systems. Similarly, each architecture and operating system has its own facilities for accessing and controlling the target. `gdb`,¹ a widely used debugger on

many Unix platforms, illustrates the complexity involved even for a single operating system: `gdb` is more than 150,000 lines of C of which over 47,000 is machine dependent.

This paper describes the design for a debugger that disentangles the machine-dependent parts of a debugger from its machine-independent parts, and a prototype of a minimal debugger for ANSI/ISO C that is almost totally machine independent. This debugger, `cdb`, illustrates the advantages of the design and exposes areas where it falls short of its goals.

`cdb` and the design strategy on which it is based capitalize on and extend recent work on machine-independent debuggers. `ldb`,^{2, 3} a retargetable debugger for ANSI/ISO C, uses a variety of techniques to isolate architecture, compiler, and operating system dependencies. It uses a programmable symbol-table format in which the *form* of the symbol table is machine independent but its *content* is machine dependent; the debugger itself simply interprets symbol table ‘programs.’ `ldb` loads a small, mostly machine-dependent debug *nub*⁴ with the target and communicates with it to manipulate breakpoints and to access the target’s address space. `ldb` evaluates C expressions by using a variant of its companion compiler, `lcc`,⁵ to compile C expressions and emit code in the same language used for its symbol tables, which `ldb` is already equipped to interpret. These techniques collaborate effortlessly to make `ldb` a cross debugger: it can run on one architecture and debug a target running on different architecture elsewhere on the network.

These techniques each sound simple and even obvious in theory, but `ldb` shows that it can be excruciatingly laborious to combine them effectively in practice to build a realistic, retargetable source-level debugger. `cdb` is simpler than `ldb` because it’s a minimalist design: it takes a few of the components of the `ldb` approach and strips them down as much as possible, and, wherever possible, it avoids a priori assumptions about how these components can be combined. For example, the `cdb` design says nothing about symbol-table formats. It provides only a mechanism for debuggers to access the target’s symbol table as if it were just another address space; compilers and debuggers must agree on the representation details. `cdb` also omits easily separable facilities, such as expression evaluation.

DESIGN

All communication between a debugger and a target funnels through a *nub*, as depicted in Figure 1. The details of the *nub* interface define what the debugger can do to and with the target, and thus constrain the debugger’s design space. The *nub* interface is small so that its implementation will be small. The interface is independent of the environment, but its implementation is not; a particular *nub* implementation might depend on everything — the target architecture, language, compiler, linker, and operating system. The `cdb` *nub*, on the other hand, depends only on the compilation and operating systems. As described below, `cdb` has almost no dependencies on the target architecture.

The *nub* is simply a conduit for opaque data, which reduces the tension between a small *nub* interface and one that’s rich enough to support practical debuggers. The producers and consumers of this data must agree on its format and interpretation. Symbol-table data is the prime example. The *nub* interface permits a debugger to read and write ‘address spaces’ associated with the target; the debugger and the compilation system must collaborate to dedicate one of these address spaces to the symbol table

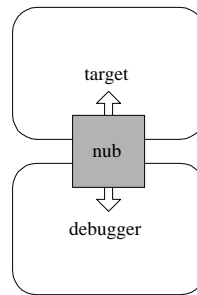


Figure 1. A debugger design based on a nub.

and agree on a format. The important consequence of this design is that it forces modularity on debuggers, but this approach also makes the nub interface language independent.

Some concrete decisions must be made, so the nub interface specifies types that describe source-code coordinates and a target state:

```

typedef struct {
    char file[32];
    unsigned short x, y;
} Nub_coord_T;

typedef struct {
    char name[32];
    Nub_coord_T src;
    void *fp;
    void *context;
} Nub_state_T;

typedef void (*Nub_callback_T)(Nub_state_T state);
  
```

A `Nub_coord_T` describes a location in the source code — a source ‘coordinate’ — by giving its file name, line number (`y`), and character number in that line (`x`). Source coordinates identify where breakpoints may be set. Many debuggers permit breakpoints only on lines. Carrying around both line numbers and character positions in coordinates supports the relatively rare debugger, like `ldb` and `cdb`, that permits breakpoints at any expression and at other strategic locations, such as block entries and exits.

A `Nub_state_T` describes the state of a *stopped* single-threaded target, that is, a target whose execution is suspended because it’s being examined by the debugger. The target is stopped in the function given by the `name` field at the source coordinate given by `src`. The `fp` and `context` fields are opaque pointers that describe the function’s stack frame and the symbol table at the coordinate `src`. The nub passes these data uninterpreted to the debugger, which must coordinate their meanings with the compilation system.

`Nub_callback_T` is a function pointer type that describes the callback functions in the debugger that are called by the nub in response to breakpoints and interrupts. These callbacks are passed to the functions

```
void _Nub_init(Nub_callback_T startup, Nub_callback_T fault);
Nub_callback_T _Nub_set (Nub_coord_T src, Nub_callback_T onbreak);
Nub_callback_T _Nub_remove(Nub_coord_T src);
```

`_Nub_init` initializes the nub and establishes a start-up function and a fault handler. The nub arranges to call `startup` after the target has been loaded but before it begins execution. All the values in the `Nub_state_T` passed to `startup` are null, except for `context`, which represents the symbol table before execution, which usually holds just globals and types. Debuggers usually permit users to explore the target before it begins execution in order to, for example, examine initialized data and set breakpoints. When `startup` returns, the target begins execution.

If a fault occurs in the target, the nub regains control and calls `fault`, which usually permits users to examine the target's corpse before it's discarded. When `fault` returns, the target terminates.

`_Nub_set` and `_Nub_remove` set and remove breakpoints. Debuggers must implement higher level debugging features, like conditional breakpoints, using these lower level nub functions. `_Nub_set` sets a breakpoint at the coordinate given by `src` and arranges to call the breakpoint handler `onbreak` the next time execution reaches `src`. The nub uses the most recently specified handler for all breakpoints. `_Nub_set` returns the previous handler, if a breakpoint was already set at `src`; otherwise, it returns null. `_Nub_set` also returns null when `src` does not describe a valid source coordinate. `_Nub_remove` removes the breakpoint set at `src` and returns the handler; if there is no breakpoint at `src` or `src` does not describe a valid source coordinate, `_Nub_remove` returns null.

As `cdb` illustrates below, debuggers often work with incomplete source coordinates, i.e., `_Nub_coord_T`s in which `name` is the null string or `x` or `y` is zero. The nub function

```
extern void _Nub_src(Nub_coord_T src,
                   void apply(int i, Nub_coord_T *src, void *cl), void *cl);
```

accepts an incomplete coordinate, `src`, and calls `apply` for each coordinate in the target that 'matches' `src`. Coordinates `x` and `y` match if their nonzero fields are equal. For example, the coordinate `{ "", 0, 17 }` matches every coordinate for line 17 in every module of the target. For each matching coordinate, `apply` is called with the index of the coordinate, a pointer to a `_Nub_coord_T` for the coordinate, and `cl`, which is a client-specific pointer value.

Breakpoint and fault handlers are called with a `_Nub_state_T` for the function in which the breakpoint or fault occurred. They can call

```
int _Nub_frame(int n, Nub_state_T *state);
```

to traverse the target's stack. `n` names a stack frame, where the top frame at the top of the stack is frame 0 and increasing numbers identify older frames. If `n` specifies a valid frame, `_Nub_frame` sets `*state` to a `_Nub_state_T` for that frame and returns `n`. If `n` specifies a nonexistent frame, `_Nub_frame` sets `*state` to a `_Nub_state_T` for the frame at the bottom of the stack and returns that frame number. If there is no stack, `_Nub_frame` returns `-1`.

Debuggers call

```
int _Nub_fetch(int space, void *address, void *buf, int nbytes);
int _Nub_store(int space, void *address, void *buf, int nbytes);
```

to read and write the target's address spaces. Both functions accept an integral address space identifier, an address in that space, a pointer to a buffer, and a byte count. `_Nub_fetch` copies `nbytes` from successive locations beginning at `address` into `buf` and returns the number of bytes actually read. `_Nub_store` copies `nbytes` from `buf` into successive locations at `address` and returns the number of bytes actually written. The return value is different than `nbytes` when, collectively, `space`, `address`, and `nbytes` specify inaccessible locations.

A target usually has numerous address spaces, but the purpose of each address space is specific to a compiler, nub, and debugger, and hence operating system. These spaces need not correspond to actual locations in the target, or even to anything loaded with target. In Unix environments, for example, targets have spaces for code, data, symbols, types, and strings, and only the first two spaces are in the target's address space; the others are in its executable file. In `cdb`, all these address spaces are loaded with the target, but the address space model permits the debugger to be unaware of this `cdb`-specific implementation strategy.

Segments, register sets, and stacks are examples of plausible address spaces in other environments. The form of the nub calls is independent of the environment, but the data passed back and forth is not, because it depends on the host machine, operating system, and compilation tools. The only constraint imposed by this model is that these spaces be accessed by read and write operations.

A particular implementation of the nub interface might serve more than one compilation system or more than one debugger. For example, a Unix nub implementation that understood Unix-style executable files and symbol-table formats could support traditional source-level debuggers, like `gdb`¹ and `dbx`,⁶ and high-level debuggers, like `Duel`.⁷ But different debugger design goals would often yield different nub implementations, even on the same architecture. The sections that follow describe `cdb` and its nub, which were designed to be as machine independent as possible.

EXAMPLE: CDB

`cdb` is a simple source-level debugger for C programs compiled by `lcc`.⁵ Its command-line interpreter accepts a small set of one-letter commands that set and remove breakpoints, display the values of variables, and walk up and down the runtime stack. Figure 2 summarizes the `cdb` commands. `cdb`'s command repertoire is intentionally frugal. The user-interface component is the one least affected by the nub, so a simple, command-line interface suffices here; a programmable, graphical user interface is under construction.

Figures 3, 4, and 5 list the source code used as a running example in this section and in the next one. The code implements a word-frequency program, which prints, in alphabetic order, each word in the standard input and the number of times it occurs. A word is a letter followed by zero or more letters or digits, and case is ignored. For example, if the file `input` contains the text of the previous sentence:

b	<i>[file:]line[.character]</i>	set a breakpoint at the specified source coordinate
c		continue execution
d	<i>[n]</i>	move down the call stack 1 frame or <i>n</i> frames
f	<i>[n]</i>	print everything about the current frame or about frame <i>n</i>
h		print this command summary
m	<i>[n]</i>	move to frame 0 (the top frame) or to frame <i>n</i>
p		list the visible variables as p commands
p	<i>{[file:]id}</i>	print the values of the listed identifiers
q		quit cdb and the target
r		remove the current breakpoint
r	<i>[file:]line[.character]</i>	remove the breakpoint at the specified source coordinate
u	<i>[n]</i>	move up the call stack 1 frame or <i>n</i> frames
w		display the call stack
!	<i>cmd</i>	call the shell to execute <i>cmd</i>

[*X*] denotes an optional *X*, and {*X*} denotes zero or more *X*s.

Figure 2. Summary of **cdb** commands.

```
% a.out <input
2      a
1      and
1      by
1      case
1      digits
1      followed
1      ignored
2      is
1      letter
1      letters
1      more
2      or
1      word
1      zero
```

Here and in the displays below, *slanted* typewriter type identifies user input. **wf.c** (Figure 3) contains the **main** program, which reads each word, calls **lookup** to find it or insert it in a binary search tree, and increments its **count**. **tprint** prints the counts and the words. **lookup.h** (Figure 4) defines the type of the nodes in the tree and the **lookup** function, and **lookup.c** (Figure 5) provides space for trees of up to 2000 nodes and implements the usual recursive node lookup and insertion algorithm.

To use **cdb**, the user compiles **wf.c** and **lookup.c** specifying the debugging option (**-Wo-g4**) and runs the resulting executable:

```
% gcc -Wo-g4 wf.c lookup.c
% a.out <input
cdb>
```

```
1  #include <stdio.h>
2  #include "lookup.h"
3
4  static int isletter(int c) {
5      if (c >= 'A' && c <= 'Z')
6          c += 'a' - 'A';
7      if (c >= 'a' && c <= 'z')
8          return c;
9      return 0;
10 }
11
12 static int getword(char *buf) {
13     char *s;
14     int c;
15
16     while ((c = getchar()) != -1 && isletter(c) == 0)
17         ;
18     for (s = buf; (c = isletter(c)) != 0; c = getchar())
19         *s++ = c;
20     *s = 0;
21     if (s > buf)
22         return 1;
23     return 0;
24 }
25
26 void tprint(struct node *tree) {
27     if (tree) {
28         tprint(tree->left);
29         printf("%d\t%s\n", tree->count, tree->word);
30         tprint(tree->right);
31     }
32 }
33
34 static struct node *words = NULL;
35
36 int main(int argc, char *argv[]) {
37     char buf[40];
38
39     while (getword(buf))
40         lookup(buf, &words)->count++;
41     tprint(words);
42     return 0;
43 }
```

Figure 3. Source listing of wf.c.

```

1 struct node {
2     int count;           /* number of occurrences */
3     struct node *left;  /* left subtree */
4     struct node *right; /* right subtree */
5     char *word;         /* pointer to the word */
6 };
7 extern struct node *lookup(char *, struct node **);

```

Figure 4. Source listing of lookup.h.

```

1 #include <stdio.h>
2 #include <stdlib.h>
3 #include <string.h>
4 #include "lookup.h"
5
6 static void err(char *s) {
7     printf("? %s\n", s);
8     exit(1);
9 }
10
11 static struct node words[2000];
12 static int next = 0;
13
14 struct node *lookup(char *word, struct node **p) {
15     if (*p) {
16         int cond = strcmp(word, (*p)->word);
17         if (cond < 0)
18             return lookup(word, &(*p)->left);
19         else if (cond > 0)
20             return lookup(word, &(*p)->right);
21         else
22             return *p;
23     }
24     if (next >= sizeof words/sizeof words[0])
25         err("out of node storage");
26     words[next].count = 0;
27     words[next].left = words[next].right = NULL;
28     words[next].word = malloc(strlen(word) + 1);
29     if (words[next].word == NULL)
30         err("out of word storage");
31     strcpy(words[next].word, word);
32     return *p = &words[next++];
33 }

```

Figure 5. Source listing of lookup.c.

As detailed in the next section, the `-Wo-g4` option causes `lcc` to emit `cdb`-style symbol tables and to load `cdb`'s start-up code and `nub` with the target. The start-up code passes control to `cdb` as if there was a breakpoint at the beginning of the target, and `cdb` prompts the user for debugger commands. At this point, the user can explore the target, set breakpoints, etc., and can start the target with a `c` command.

`cdb` can set breakpoints on 'stopping points',³ which include individual expressions and the entry and exit points of compound statements. For example, there are seven stopping points in lines 16–19 of Figure 3's `wf.c` as illustrated by the diamonds (\diamond) below.

```

16   while ( $\diamond$ (c = getchar()) != -1 &&  $\diamond$ isletter(c) == 0)
17        $\diamond$ ;
18   for ( $\diamond$ s = buf;  $\diamond$ (c = isletter(c)) != 0;  $\diamond$ c = getchar())
19        $\diamond$ *s++ = c;
```

`cdb`'s `b` and `r` commands accept incomplete source coordinates and use `_Nub_src` to enumerate the set of coordinates that match the one specified. If there's only one such match, the command accepts that one. If several coordinates match, the command lists renditions of itself for the matching coordinates and instructions for continuing, so users rarely have to type more than a line number, and never have to count characters. For example,

```

cdb> b 18
Sweep and send one of the following commands:
b wf.c:18.7
b wf.c:18.40
b wf.c:18.16
b lookup.c:18.11
```

lists the three stopping points in `wf.c`'s line 18 and the one in `lookup.c`'s line 18. The user can use the mouse to sweep and send the desired commands. A more sophisticated GUI might display the source code and flash possible breakpoints as the mouse got near them, and the user could set or remove a breakpoint by simply clicking on the desired stopping point.

Once the user is done exploring the target, the `c` command continues its execution:

```

cdb> b 17
Sweep and send one of the following commands:
b wf.c:17.3
b lookup.c:17.7
cdb> b lookup.c:17.7
To remove this breakpoint, sweep and send the command:
r lookup.c:17.7
cdb> c
stopped in lookup at lookup.c:17.7
0      lookup(word=(char *)0Xefffac0 "word",p=(struct node **)0X81a8)
cdb>
```

Here, a breakpoint is set on `lookup.c`'s line 17, which is just before the `lookup` function decides which recursive call to make. As shown, when a breakpoint is set, the `b` command emits the appropriate `r` command for removing the breakpoint.

When execution hits a breakpoint, control is passed back to `cdb`, which announces the breakpoint and prints a synopsis of the current function call in the target. As illustrated above, `cdb` prints values in source-level terms whenever possible; for example, `word` is a pointer to a string, so both the pointer value (an address) and the null-terminated string are printed. `p`'s value is a pointer to a pointer to a `struct node`, and only its value can be easily printed.

When a breakpoint occurs, `cdb` establishes a *focus*, which denotes a particular stopping point in a specific instance of a particular function. `cdb`'s commands that list variables and values use the focus to resolve names. For example, a bare `p` command lists the variables visible at the focus. For the breakpoint above, these include `lookup`'s locals, its arguments, and all the globals in both `lookup.c` and `wf.c`:

```

cdb> p
p cond
p p
p word
p lookup.c:next
p lookup.c:words
p wf.c:words

```

The visible variables are printed as `p` commands so that user can use the mouse to sweep and send the desired commands.

File-scope static variables pose a dilemma. When `lookup.c` is compiled, its `next` and `words` are visible only in the function `lookup`. They are not visible in `err` or in any function in `wf.c`. But debugging is fundamentally different than compiling, because the former focuses on exploring the entire target, not compiling its components. The user might well stop the target in `lookup` for the express purpose of checking the evolution of the tree rooted at `wf.c`'s `words`. The user must be able to specify file-scope statics defined in any module, and must be able to distinguish between those with identical names, like `words`, which is defined in both `lookup.c` and `wf.c`.

`cdb` resolves this dilemma by permitting file names to prefix file-scope statics, and a bare `p` command prints them that way, too, as illustrated above. Thus,

```

cdb> p lookup.c:words
lookup.c:words={
  [0]={count=1,left=(struct node *)0X0,right=(struct node *)0X0,
      word=(char *)0X149a0 "a"}
  [1]={count=0,left=(struct node *)0X0,right=(struct node *)0X0,word=(char *)0X0}
  [1999]={count=0,left=(struct node *)0X0,right=(struct node *)0X0,word=(char *)0X0}
}

```

prints `lookup.c`'s `words`.

This example also shows how `cdb` prints arrays and structures. It uses type information to print the details of structured values, when possible. For arrays whose size is known, it prints the first and last elements and all the elements in between, except that it omits the second and succeeding elements of a run of elements with equal values, which is illustrated by the omission of elements 2–1998 in the display above. For structures and unions, it prints the names and values of the fields.

Continuing the target six times reaches a recursive call to `lookup` for the word 'letter':

```

cdb> c
stopped in lookup at lookup.c:17.7
0      lookup(word=(char *)0xf7fffac0 "is",p=(struct node **)0x81a8)
cdb> c
stopped in lookup at lookup.c:17.7
0      lookup(word=(char *)0xf7fffac0 "is",p=(struct node **)0x8b84)
cdb> c
stopped in lookup at lookup.c:17.7
0      lookup(word=(char *)0xf7fffac0 "a",p=(struct node **)0x81a8)
cdb> c
stopped in lookup at lookup.c:17.7
0      lookup(word=(char *)0xf7fffac0 "letter",p=(struct node **)0x81a8)
cdb> c
stopped in lookup at lookup.c:17.7
0      lookup(word=(char *)0xf7fffac0 "letter",p=(struct node **)0x8b84)
cdb> c
stopped in lookup at lookup.c:17.7
0      lookup(word=(char *)0xf7fffac0 "letter",p=(struct node **)0x8b90)

```

The `w` command displays the entire call stack, and the `u` and `d` commands move the focus up and down the stack:

```

cdb> w
*0      lookup(word=(char *)0xf7fffac0 "letter",p=(struct node **)0x8b90)
1      lookup(word=(char *)0xf7fffac0 "letter",p=(struct node **)0x8b84)
2      lookup(word=(char *)0xf7fffac0 "letter",p=(struct node **)0x81a8)
3      main(argc=1,argv=(char **)0xf7fffbac)
cdb> d2
2      lookup(word=(char *)0xf7fffac0 "letter",p=(struct node **)0x81a8)
cdb> u
1      lookup(word=(char *)0xf7fffac0 "letter",p=(struct node **)0x8b84)

```

The `w` command uses an `*` to identify the focus. The different values of `p` in the display above show that the recursive calls are walking down the tree rooted at `wf.c`'s `words`, which is at address `081a816`.

The `m` command moves to a specific frame, or to the top frame, and the `f` command prints everything about the frame at the focus or about a specific frame.

```

cdb> m
0      lookup(word=(char *)0xf7fffac0 "letter",p=(struct node **)0x8b90)
cdb> f
0      lookup(word=(char *)0xf7fffac0 "letter",p=(struct node **)0x8b90)
      cond=3
cdb> f2
2      lookup(word=(char *)0xf7fffac0 "letter",p=(struct node **)0x81a8)
      cond=11
cdb> f3
3      main(argc=1,argv=(char **)0xf7fffbac)
      buf={"letter"}

```

The `f` command output for `main` shows how `cdb` prints character arrays. The type of `main`'s `buf` is 'array of 40 characters;' `cdb` assumes `buf` holds a null-terminated string, and it prints the string enclosed in braces to denote an array. Contrast this output with `lookup`'s `word`, which has type 'pointer to character.'

The breakpoint can be removed with the command `'r lookup.c:17.7'`, as instructed by the output of the `b` command above, with the commands `'r lookup.c:17'` or `'r 17'`, both of which uniquely specify the breakpoint, or with just `'r'`, because a bare `r` command removes the current breakpoint. If there were breakpoints on line 17 in `wf.c` and on line 17 in `lookup.c`, an `r` command with an incomplete coordinate would elicit the list of alternatives:

```

cdb> b wf.c:17
To remove this breakpoint, sweep and send the command:
r wf.c:17.3
cdb> r 17
Sweep and send any of the following commands:
r lookup.c:17.7
r wf.c:17.3
cdb> r wf.c:17.3
cdb> r

```

Once all breakpoints are removed, a `c` command runs the target to completion.

```

cdb> c
2      a
1      and
1      by
1      case
1      digits
1      followed
1      ignored
2      is
1      letter
1      letters
1      more
2      or
1      word
1      zero
%

```

IMPLEMENTATION

`cdb` and its `nub` are an instance of the `nub` interface described above. That interface says little about system dependence; one implementation could be a debugger that depends heavily on system-specific symbol tables and breakpoint mechanisms that depend on the target and its operating system. `cdb` sits at the other extreme: it is completely independent of the target architecture and depends only on standard Unix facilities, such as stock compilers and linkers. It debugs programs compiled with `lcc`, but other compilers could easily generate the code and data used by `cdb`. `cdb` runs on the SPARC under SunOS 4.1.3, the MIPS under IRIX 5.3, and the ALPHA under OSF/1 3.2.

`cdb` achieves target independence by having `lcc` emit target-independent symbol tables and breakpoint 'hooks' using techniques similar to those used for `lcc`'s machine-independent, expression-level profiling.⁸ `cdb`'s symbol tables are initialized instances of data structures defined in terms of C structures. These tables are emitted as part of

the target, just like any other initialized data. Breakpoints are supported by emitting code at each stopping point at compile time. During execution, this code tests if a breakpoint is set at the stopping point. The initialized data structures and the breakpoint code are target independent, and they are generated by additions to `lcc`'s *front end*. Technically, the phrase '`lcc emits . . .`,' which appears often below, should be the more accurate but verbose '`the lcc front end builds intermediate code from which its back end emits . . .`'

Injecting debugging code and data at the intermediate-code level is similar in spirit to injecting debugging code at the source level. Surprisingly, intermediate code is often easier to generate, because it avoids issues of syntax, name spaces, and temporaries, for example. More important, it also avoids issues of undefined and implementation-defined behaviors, which riddle the ANSI/ISO standard for C. The compiler must make choices when it enters these murky semantic regions anyway, and the intermediate code reveals its decisions, which the source code hides.

Instrumenting intermediate code or its equivalent to support debugging is common in interpreted environments⁹ and for higher-level languages. Heymann¹⁰ describes a 100% portable debugger for a high-level language that is compiled into C. In this case, C code to support runtime debugging is injected during compilation. The issues described above don't intrude here, because the compiler controls both the debugging code and the C code generated for the source high-level program. Similar techniques could be used in Modula-3¹¹ compilers that emit C.

`smld`¹² is a machine-independent debugger for Standard ML,¹³ and it's implemented as part of the Standard ML of New Jersey compiler.¹⁴ This compiler uses a tree intermediate representation based on the lambda calculus, and `smld` adds debugging hooks by editing these trees in one or more of SML-NJ's many passes. This approach is particularly appealing for ML, because ML is a 'safe' language — a buggy program cannot corrupt itself or the debugging code. Unfortunately, similar assurances cannot apply to C and `cdb`, because C is not a safe language.

By the measures established by other debuggers, `cdb` is tiny, even considering that `cdb`'s facilities are meager compared with those of other debuggers. Table I lists `cdb`'s components, gives their sizes in nonblank source-code lines, and summarizes their purposes. All the C code in Table I is completely target independent. `cdbld` is a small shell script that runs before the Unix linker; it ties together the symbol tables from separately compiled modules, as described below. In theory, `cdbld` might have to be replaced completely for each environment, because it depends on the target's linker and related utilities. For all `cdb`'s current Unix targets, however, only four lines of `cdbld` are target dependent.

`stab.c` is the addition to `lcc`'s front end; it emits the symbol tables, the stopping-point data, and the breakpoint hooks. Most of `stab.c` emits data; building intermediate code for breakpoint hooks and function entries takes fewer than 150 lines. `lcc`'s 'event hooks'⁵ are used to inject this code, so `stab.c` is a separable addition to the front end.

`nub.c` implements the `_Nub_*` functions described above. There are two ways to configure `cdb`, as illustrated in Figure 6. The same `nub` and `cdb` code are used in both configurations. `cdb` can be loaded with the target in a single process, as depicted by the left diagram in Figure 6. This configuration is particularly useful on systems that do not support processes or interprocess communication well. The right diagram in Figure 6 shows `cdb`'s default, two-process configuration. The `nub` is loaded with the

Table I. Source code for `cdb` and `nub` implementations.

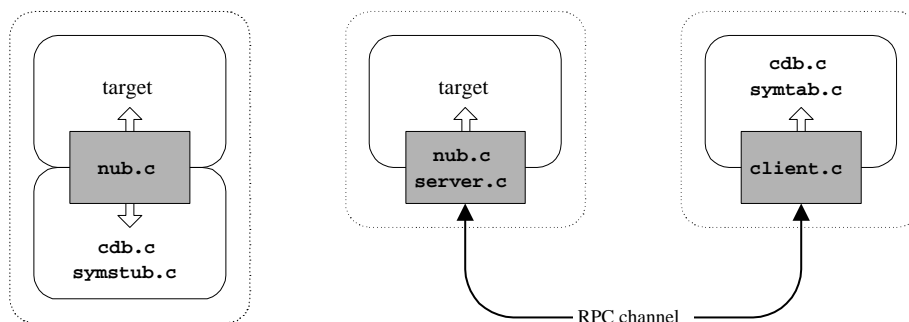
<i>Lines</i>	<i>File</i>	<i>Purpose</i>
31	<code>cdbld</code>	linking script, per target
565	<code>stab.c</code>	symbol table and breakpoint code emitter
249	<code>nub.c</code>	the nub
191	<code>client.c</code>	debugger side of the two-process nub
202	<code>server.c</code>	target side of the two-process nub
794	<code>cdb.c</code>	<code>cdb</code> 's user interface and command processor
80	<code>syntab.c</code>	symbol table and type management
15	<code>symstub.c</code>	<code>syntab</code> stubs for single-process debugger

target and communicates with `cdb` with remote procedure calls (RPCs). `server.c` and `client.c` implement the minimal RPCs needed for this communication. Nothing in this communication depends on the design of `cdb` or of the nub in any essential way; these modules could be replaced entirely by a standard, architectural neutral RPC package.

`cdb.c` and `syntab.c` are the debugger itself. `cdb.c` is the command interpreter, and `syntab.c` caches symbol tables to reduce RPC traffic. When `cdb` is loaded with the target, `symstub.c` replaces `syntab.c` because the latter is superfluous in that configuration.

Symbol Tables

Symbol tables are just initialized data structures, and thus their form is machine independent. `cdb` reads a symbol table by calling `_Nub_fetch` with an address space identifier that specifies the symbol table. The symbol table for each separately compiled module is defined by a `module` structure:

Figure 6. One-process (left) and two-process (right) `cdb` configurations.

```

struct module {
    union scoordinate *coordinates;
    char **files;
    struct ssymbol *link;
};

```

`coordinates` points to an array of `scoordinate` structures, one for each stopping point in the module, `files` points to a null-terminated array of pointers to strings that name the source files comprising the module, and `link` points to a dummy symbol-table entry called the link, which is used to connect the symbol tables from separately compiled modules that make up the program. `scoordinate` structures, which give the stopping points in the module, are described below.

Symbol-table entries are emitted for each identifier in the module as initialized instances of `symbol` structures:

```

struct ssymbol {
    int offset;
    void *address;
    char *name;
    char *file;
    unsigned char scope;
    unsigned char sclass;
    struct stype *type;
    struct ssymbol *uplink;
};

```

The values of the `name`, `file`, `scope`, and `sclass` fields give the identifier's name, the name of the file in which the identifier is defined, and small integers that denote its scope and storage class. For a local or a parameter, the `offset` field holds its machine-independent frame offset; for a global or a static, the `address` field holds its address.

For locals and parameters, the `uplink` field points to a symbol in the enclosing local or outer parameter scope, if there is one; otherwise, it points to the link symbol. For globals and file-scope statics, the `uplink` field points to a symbol for another file-scope identifier, or it's null. The link's `uplink` field points to the last file-scope symbol. The entire symbol table for a module is thus an inverted tree threaded through the `uplink` fields. Figure 7 shows the symbol tables for `wf.c` on the left and for `lookup.c` on the right. The shaded boxes are the link symbols. The visible identifiers at any point *P* in the code are given by the path up the tree from the last identifier declared in the compound statement containing *P*. For example, `cond` is the only identifier declared in the compound statement surrounding line 17 in `lookup.c`, so the identifiers visible at this point are

```

cond
p word
next words err lookup node

```

where identifiers in the same scope are list on the same lines. `node` is the structure tag defined in `lookup.h`.*

* Symbol-table entries for the identifiers defined in `stdio.h` and `stdlib.h` that are used in `lookup.c` are also emitted and should be listed here, but they're omitted to avoid clutter.

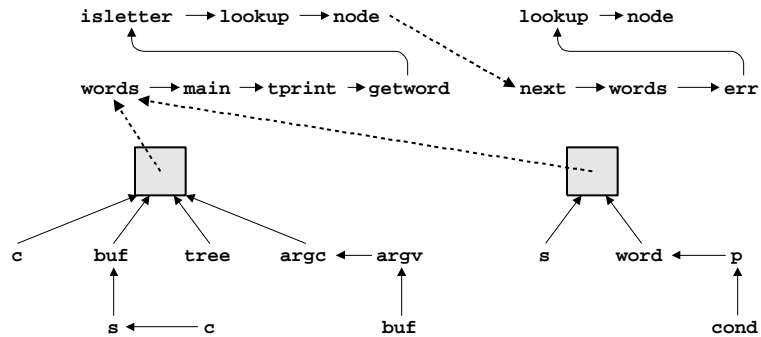


Figure 8. Symbol tables for wf.c and lookup.c after linking.

example, Figure 9 shows all the **stype** structures involved in representing the **node** structure defined in Figure 4. In the **stype** structure for **struct node**, the 60 is the size of this **stype** structure, 'S' is a type code for a structure type, 16 is the size of instances of this structure type, and the next field points to the tag, which is the string **node**. The triples that follow give, for each field, its name, its type, and its offset in

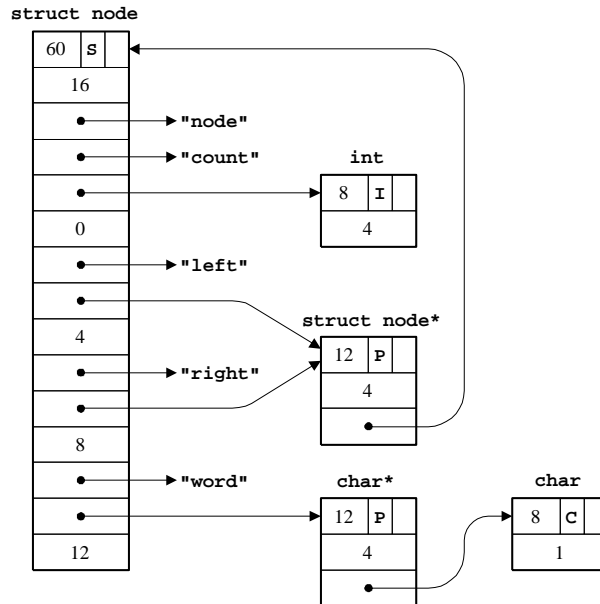


Figure 9. Types for struct node.

bytes.* The other `stype` structures have similar interpretations.

`cdb` traverses `stype` structures as it prints values. The type codes determine how a value is printed and how it should be traversed, if it's an aggregate type or a pointer type. `cdb` follows pointers for some noncircular types; for example, it prints the pointer value and the null-terminated string for a `char*`, and it prints the pointer and its integer referent for an `int*`.

`cdb` uses `_Nub_fetch` to fetch values from the target's address space, including pointers. `_Nub_fetch`'s return value identifies invalid addresses; the size of all values is known, so when `_Nub_fetch` returns fewer bytes than requested, the address is invalid. Symbol-table entries, types, and strings are all constant data, and they are cached lazily by `cdb`'s `syntab.c` module. `_Nub_fetch` is called only the first time these data are referenced; subsequent references use the cached copies.

Breakpoints

The `coordinates` field of the `module` structure points to an array of one-word `scoordinate` structures:

```
union scoordinate {
    int i;
    struct { unsigned int y:16,x:10,index:5,flag:1; } le;
    struct { unsigned int flag:1,index:5,x:10,y:16; } be;
};
```

The `le` and `be` fields are used on, respectively, little endians and big endians, and `lcc`, the `nub`, and `cdb` determine the endianness dynamically and use the correct field. The `x` and `y` fields hold a character position and line number, and the `index` field holds the index for the file name in the array of file names pointed to by the `module`'s `files` field. The `coordinates` arrays are used to implement `_Nub_src` and the `nub`'s breakpoint functions.

The `flag` field is one when a breakpoint is set at the corresponding stopping point. For each stopping point, `lcc` emits code that's equivalent to

```
(module.coordinates[n].i < 0 && _Nub_bp(n, tail), e)
```

where `n` is the index of the stopping point and `e` is the expression at that stopping point. `scoordinate` is defined carefully so that the `flag` field is the sign bit.

`tail` is a pointer to the `ssymbol` structure corresponding to the innermost symbol visible at the stopping point. The `tail` value supplies the symbol-table context for that breakpoint; these are the values stored in the `context` fields of `_Nub_state_Ts`. For example, the lone stopping point on line 24 in `lookup.c` is the 14th one in that module, so that line is compiled as if it were written as

```
if ((__module__V309159f22d5b.coordinates[14].i < 0
    && _Nub_bp(14, &L36), next >= sizeof words/sizeof words[0]))
```

where `L36` is the `ssymbol` structure for `lookup`'s `p`.

To set a breakpoint, `_Nub_set` simply lights the `flag` bit in the appropriate coordinate and saves the address of the debugger's breakpoint callback function. When

* For bit fields, the offset encodes the offset and field size in bits.

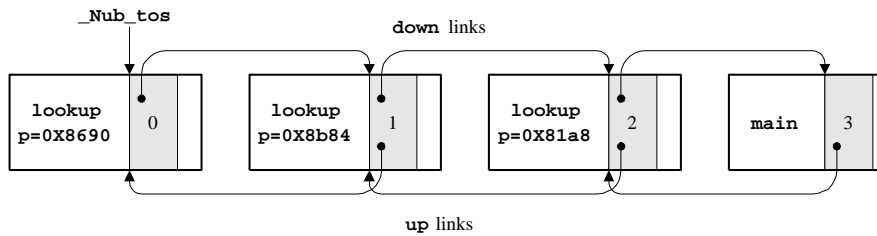


Figure 10. Call stack for `wf.c` and `lookup.c` with 4 shadow frames (shaded).

the test `module.coordinates[n].i < 0` succeeds, `_Nub_bp` is called, which in turn stops the target and invokes the callback. `cdb`'s callback, for example, announces the breakpoint, prints a synopsis of the current frame, and accepts commands. When the debugger's callback returns, `_Nub_bp` returns, and execution continues. `_Nub_remove` clears the `flag` bit.

Stack Frames

`cdb` can know nothing about stack frames because almost everything about them depends on the target. It must, however, access frames in order to fetch the values of locals and parameters. The nub must implement `_Nub_frame`, and it must supply `_Nub_state_T` values with target-independent `fp` fields that `cdb` can interpret meaningfully.

The nub collaborates with additional function entry and exit code to maintain a 'shadow stack' embedded in the normal call stack. Shadow frames are created and initialized at function entry and disappear at function exit. `_Nub_frame` traverses the shadow stack, and the `fp` fields in state values are the addresses of shadow frames. Figure 10 shows the call stack when the target stops at line 17 in `lookup.c` during the third nested call to `lookup`. The shaded boxes are the shadow frames, and the stack grows to the left. The shadow stack is a doubly linked list of frames defined by

```
struct sframe {
    struct sframe *up, *down;
    char *func;
    struct module *module;
    struct symbol *tail;
    int ip;
};
```

The `up` and `down` fields form the list, the `func` field points to the name of the function, the `module` field points to the `module` structure for the file in which the function appears, and `tail` and `ip` are filled in just before calls, as described below.

`lcc` creates the shadow frame for each function by simply simulating the declaration of a local variable with type `struct sframe` — there is no separate allocation. It initializes the `down`, `func`, and `module` fields by emitting the appropriate assignments

at function entry, and there's nothing to do at function exit. For example, it emits the following assignments at the entry to `lookup`; `tos` is the generated local.

```

struct sframe tos;
tos.down = _Nub_tos;
tos.func = "lookup";
tos.module = &__module__V309159f22d5b;
_Nub_tos = &tos;
(ssymbol structure for p).offset = (char*)&p - (char *)&tos;
(ssymbol structure for word).offset = (char*)word - (char *)&tos;

```

The last two assignments set the `offset` fields in the `ssymbols` for `p` and `word` to the number of bytes between the shadow frame and each variable. `cdb` does the inverse computation to compute the addresses for locals and parameters, so the relative locations of the variables and their shadow frame don't matter. Indeed, it doesn't matter to `cdb` whether or not this computation actually yields an address, because `cdb` uses the result only to pass to `_Nub_fetch`. Similar assignments are emitted at the beginning of each nested compound statement, when necessary.

Computing these offsets at function entry illustrates the measures that must be taken in order to be target independent, even when a target-dependent approach would be considerably easier. These offsets are constants, and they could be supplied easily by the back end, which would noticeably simplify the `nub` and `stab.c`, but there's no facility in `lcc`'s code-generation interface to supply these data. A similar situation occurs in `ldb`: it needs to determine which variables are assigned to registers and the target-dependent names for those registers. In this case, `lcc`'s code-generation interface was extended with two short functions that return the necessary data.

For every call expression e , `lcc` emits

```
(tos.ip =  $n$ , tos.tail =  $tail$ , temp =  $e$ , _Nub_tos = &tos, temp)
```

where n is the index of the stopping point that immediately precedes e , $tail$ is the corresponding symbol-table entry, as described above, and `temp` is a compiler-generated temporary. The two assignments before e complete the caller's shadow frame so that `_Nub_frame` can traverse the stack and compute appropriate `_Nub_state_T` values as it goes. `_Nub_frame` also sets the `up` fields in shadow frames when — and if — it moves down the stack.

The assignment to `_Nub_tos` after the call 'pops' the callee's shadow frame off the shadow stack. The more obvious way to pop this frame is to generate

```
return (temp =  $e$ , _Nub_tos = tos.down, temp)
```

for every `return e` , but this approach does not handle calls to standard C's `setjmp` and `longjmp` correctly. Suppose function A calls `setjmp` and then calls B , which makes the corresponding call to `longjmp`. If `_Nub_tos` were reset only in return statements, it would still point to B 's shadow frame after control returns to A , because the return was done internally by `longjmp` instead of by the code shown above for return statements. Resetting `_Nub_tos` after calls handles `setjmp` and `longjmp` correctly. Another approach is to supply nub-specific versions of `setjmp` and `longjmp` that know about the shadow stack.

Table II. Sizes in kilobytes of `lcc` executables with and without debugging data.

<i>Code segment</i>	<i>Initialized data</i>	<i>Uninitialized data</i>	<i>lcc variant</i>
360 KB	32	20	no debugging data
496	32	20	SunOS-specific debugging data
1,584	592	21	<code>cdb</code> debugging data and code

Overhead

`cdb` is almost completely machine independent, but this independence costs roughly a factor of 3–4 in both space and time. Table II lists the sizes in kilobytes of the code, initialized data, and uninitialized data segments for three variants of `lcc` version 3.5. `lcc` can generate system-specific symbol-table data on some platforms, and the second variant listed in Table II emits SunOS ‘stabs’ debugging data.

As the following breakdown reveals, strings and `ssymbol` and `stype` structures account for most of the initialized data space in `cdb`-style debugging data.

300,400 bytes	file names and identifiers
291,900	<code>ssymbol</code> structures
204,276	<code>stype</code> structures
76,292	<code>scoordinate</code> structures
348	module structures
344	pointers to file names

The table below gives the execution time in seconds for each of the variants listed in Table II to compile `lcc`’s 10,000+ lines of code. These measurements were performed on a SPARC 5 running SunOS 4.1.3.

21.9 secs.	no debugging data
36.3	SunOS-specific debugging data
93.0	<code>cdb</code> debugging data and code

DISCUSSION

Expression evaluation is the obvious omission from `cdb`’s command repertoire. Adding expression evaluation would not effect the nub code, because, as experience with `ldb` shows, expression evaluation is perhaps one of the easiest debugger components to isolate. To evaluate an expression, `ldb` sends the source code and symbol-table context data to its ‘expression server,’ and the server returns an intermediate representation for the expression, which `ldb` interprets. `ldb` must do the interpretation because it has access to the target’s variables. The expression server is an instance of `lcc`, modified so that it accepts just expressions. The attraction of this approach is that the compiler does double duty. A similar approach could be used with `cdb`.

There are viable and perhaps superior alternatives to expression evaluation. The type information associated with a value helps suggest where the user might want to go next. For example, after displaying a pointer to an array of pointers to structures,

the user will likely follow the pointers in the elements to display some of the structures. The Pi debugger,¹⁵ which did not support expression evaluation, used a similar approach to explore data structures incrementally by pointing and clicking, which is much faster than typing expressions. A prototype of this kind of interface for `cdb` is under construction.

Duel⁷ exemplifies the other extreme. It supports expression evaluation, but in a separate, very high-level language designed for debugging. The main activity in debugging is exploring the state of a program, which is quite different from writing the program in the first place. State exploration queries can be expressed concisely in Duel, often as one-liners, and there are similarly concise ways to display only parts of large data structures. `cdb` could support this approach, too.

Single stepping is the other important omission from `cdb`, and including it is more problematic. An obvious approach is to set *all* the breakpoints, keeping tracking of which ones were set explicitly by the programmer, but this approach is too inefficient for even programs of moderate size, like `lcc`. The compiler can compute the set of successors to any stopping point, because it has the program's flow graph. Single stepping could be implemented more efficiently by setting breakpoints at just these successors, continuing the target, and removing the breakpoints when the target stops again. This approach is viable, but its overhead may still be too high, and it would require additional information about each stopping point, which takes space. A more attractive, but untested, approach is to extend the nub interface to support single stepping directly, because it could use target-specific mechanisms to do so. The disadvantage of this scheme is that it complicates the nub, which costs space, time, and makes it more difficult to port.

Many system-specific debuggers also support debugging at the machine level, and a few debuggers permit code to be patched on the fly, thus avoiding an edit-compile-link cycle. These capabilities are, of course, beyond the reach of `cdb` and similar machine-independent debuggers.

For `cdb`'s nub, the symbol table and the nub's data structures, like the array `_Nub_modules` and the shadow stack, are part of the target's address space. This choice makes `cdb` and the nub target independent, but exposes these data to corruption, because a buggy C program can write anywhere in memory. Safe languages, like Modula-3, don't have this problem.

Some of this data, like files, strings, and types, are not vulnerable because they are placed in read-only segments along with other constants. Symbol-table entries are writable only because their `offset` fields are computed during execution, which could be avoided as described in the previous section. Coordinates are writable only because their `flag` bits identify breakpoints; these bits could be located elsewhere, and the coordinates themselves placed in read-only memory. In practice, corruption is rarely a problem, but on systems that support user-level page protection primitives,¹⁶ the nub could protect the pages that hold its data and symbol-table data whenever control returned to the target. A low-tech variant of this scheme is for the debugger to keep critical nub data while the target has control, and pass it back to the nub when the debugger gets control, perhaps using fingerprints to avoid unnecessary copying.

In traditional system-specific debuggers, the symbol table is usually stored in the executable file or related file, and it's usually not loaded with the target program and thus doesn't consume space. The nub interface doesn't insist on loading the symbol table with the target, and other, more system-dependent implementations could use

the traditional approach. For example, we're now building an implementation of the nub that reads SPARC-specific symbol tables from executable files and translates them on-the-fly to `cdb`'s target-independent format. The goal is to replace just `nub.c` (and perhaps `server.c` and `client.c`) and to use `cdb.c` unchanged.

Whatever approach is used for the symbol table, defining the symbol table as initialized data seems much simpler than the tortured descriptions of most system-dependent symbol-table formats. This technique could be applied more widely if symbol tables were defined as separate segments that were linked but not loaded.¹⁷

`cdb` illustrates the primary advantage of using a nub: embedding even a small piece of code in the target greatly simplifies the debugger. This approach undoubtedly has applications beyond just debugging; for example, Sosič¹⁸ describes a general interface for 'program directing,' which supports performance monitoring, tracing, and dynamic loading as well as debugging. Its implementation includes nub-like code that is loaded with the target and that communicates with a client 'director,' such as a performance monitor. `cdb`'s nub is linked with the target program, but it could be embedded in the target by other means; plausible alternatives include editing the target's executable file¹⁹ and mapping the nub into the target's address space dynamically. These and similar alternatives with late binding times merit further investigation.

REFERENCES

1. Richard M. Stallman and Roland H. Pesch, 'Using GDB: A guide to the GNU source-level debugger, GDB version 4.0', *Technical report*, Free Software Foundation, Cambridge, MA, July 1991.
2. Norman Ramsey, 'A retargetable debugger', *Ph.D. Thesis*, Princeton University, Princeton, NJ, January 1993.
3. Norman Ramsey and David R. Hanson, 'A retargetable debugger', *Proceedings of the SIGPLAN'92 Conference on Programming Language Design and Implementation, SIGPLAN Notices*, **27**(7), 22–31 (1992).
4. David D. Redell, 'Experience with Topaz TeleDebugging', *Proceedings of the SIGPLAN/SIGOPS Workshop on Parallel and Distributed Debugging, SIGPLAN Notices*, **24**(1), 35–44 (1989).
5. Christopher W. Fraser and David R. Hanson, *A Retargetable C Compiler: Design and Implementation*, Addison-Wesley, Menlo Park, CA, 1995.
6. Mark A. Linton, 'The evolution of Dbx', *Proceedings of the Summer USENIX Technical Conference*, Anaheim, CA, June 1990, pp. 211–220.
7. Michael Golan and David R. Hanson, 'DUEL — a very high-level debugging language', *Proceedings of the Winter USENIX Technical Conference*, San Diego, CA, January 1993, pp. 107–117.
8. Christopher W. Fraser and David R. Hanson, 'A retargetable compiler for ANSI C', *SIGPLAN Notices*, **26**(10), 29–43 (1991).
9. Rok Sosič, 'Dynascope: A tool for program directing', *Proceedings of the SIGPLAN'92 Conference on Programming Language Design and Implementation, SIGPLAN Notices*, **27**(6), 12–21 (1992).
10. Jurgen Heymann, 'A 100% portable inline debugger', *SIGPLAN Notices*, **28**(9), 39–46 (1993).
11. Greg Nelson, *Systems Programming with Modula-3*, Prentice Hall, Englewood Cliffs, NJ, 1991.
12. Andrew Tolmach, 'Debugging standard ML', *Ph.D. Thesis*, Princeton University, Princeton, NJ, October 1992. CS-TR-378-92.
13. R. Milner, M. Tofte, and R. Harper, *The Definition of Standard ML*, MIT Press, 1990.
14. Andrew W. Appel, *Compiling with Continuations*, Cambridge University Press, Cambridge, 1992.
15. Thomas A. Cargill, 'The feel of Pi', *Proceedings of the Winter USENIX Technical Conference*, Denver, CO, January 1986, pp. 62–71.
16. Andrew W. Appel and Kai Li, 'Virtual memory primitives for user programs', *Proceedings of the Fourth International Conference on Architectural Support for Programming Languages and Operating Systems*, Santa Clara, CA, April 1991, pp. 96–107.

17. Christopher W. Fraser and David R. Hanson, 'A machine-independent linker', *Software—Practice and Experience*, **12**(4), 351–366 (1982).
18. Rok Sosić, 'A procedural interface for program directing', *Software—Practice and Experience*, **25**(7), 767–787 (1995).
19. James R. Larus and Thomas Ball, 'Rewriting executable files to measure program behavior', *Software—Practice and Experience*, **24**(2), 197–218 (1994).